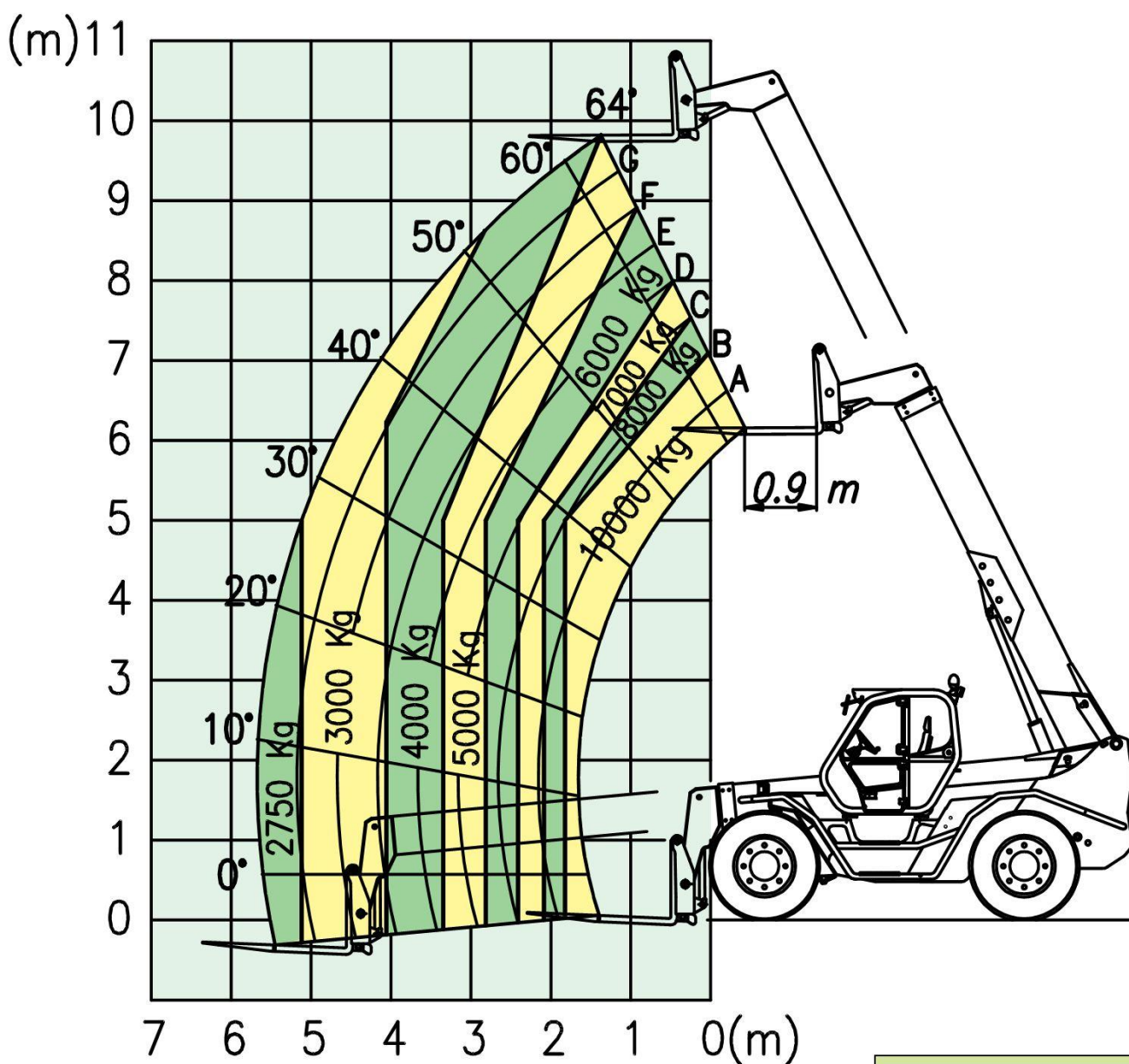


MERLO PANORAMATIC P101.10

P 101.10 HM



EN 1459/A